

Mechanical Gauge GLTV4

Introduction



Aluminium alloy



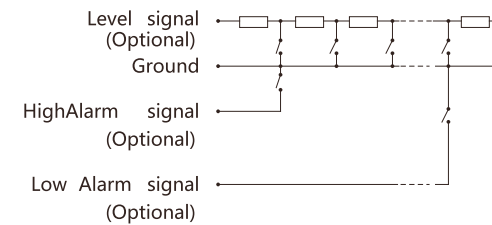
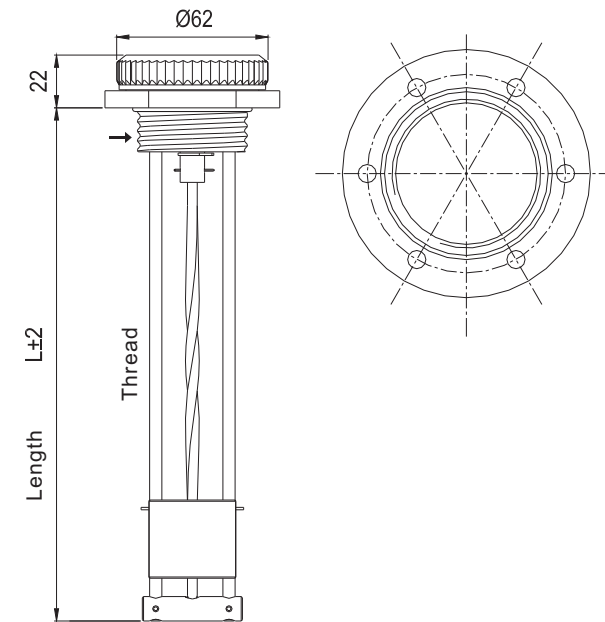
Plastic

- The mechanical gauge integrates the function of level measuring and level display level without power supply. High and low alarm function can be added to the gauge according to customer requirement.
- This gauge largely applies to fuel tanks of generators and engines. It also applies to water tanks. Not recommended for vehicles.

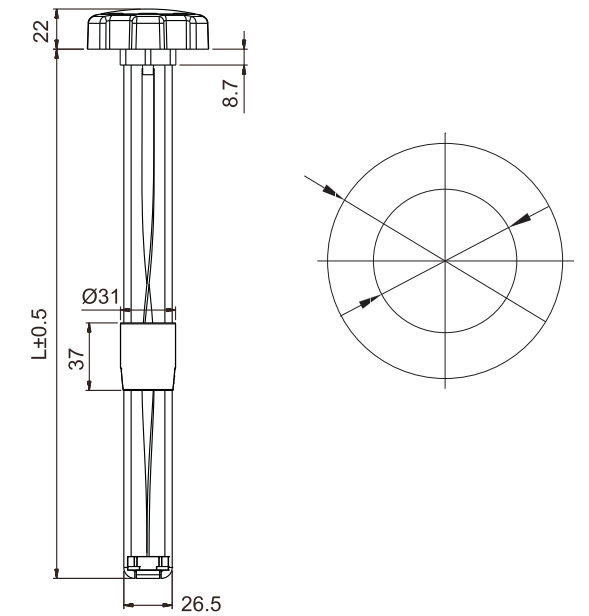
Specification

Operating temperature	-45~80℃
Integrated precision	5%
Main material	Aluminium alloy
Threading types	M45×2 or BSP 1 ½(Aluminium alloy) M57×5(Plastic)
Flange(Optional)	Standard 6-hole,welding flange
Screwing torque	300-400N.m
Length range	120-700mm(Aluminium alloy) 120-600mm(Plastic)
Alarm switch	Optional high or low level alarm . Alarm point can be set between 0 to 1/4 or 7/8 to full level. Alarm current is < 500mA.
Signal output(Optional)	0~190Ω、240~33Ω

Dimension(mm)



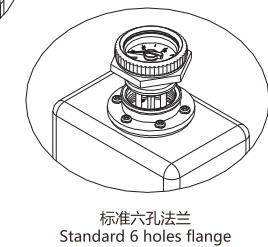
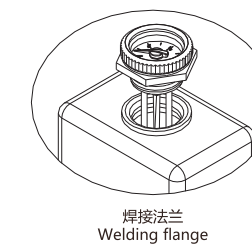
Aluminium alloy



Plastic

Attachment

- Threading types: M45×2 and BSP 1 1/2.
- If there is no threadings on the tank, then a matched flange can be applied.
- The standard 6 holes flange(locked by screws).
- The welding flange(weld onto the tank).



Appendix of flanges

Flange	Material	Thread	L1(mm)	L2(mm)	Modle	Style
	铝/Alu.	M45×2	18	—	A	
	铝/Alu-6063	M57×5	27	—		
	铝/Alu.	M45×2	15	12	B	
	铁/Fe	M45×2	15	12		
	SUS 316	M45×2	20	15		
	铁/Fe	BSP 1 1/2"	15	12		
	SUS 316	M45×2	50	45		
	铁/Fe	M45×2	25	10		
	铝/Alu.	BSP 1 1/2"	15	12		
	铁/Fe(A3)	M57×5	18	12		
铝/Alu-6063	M57×5	33	12			
	铁/Fe	BSP 1 1/2"	30	—	C	