

Ultrasonic Level Sensor

GUT805

GAMICOS



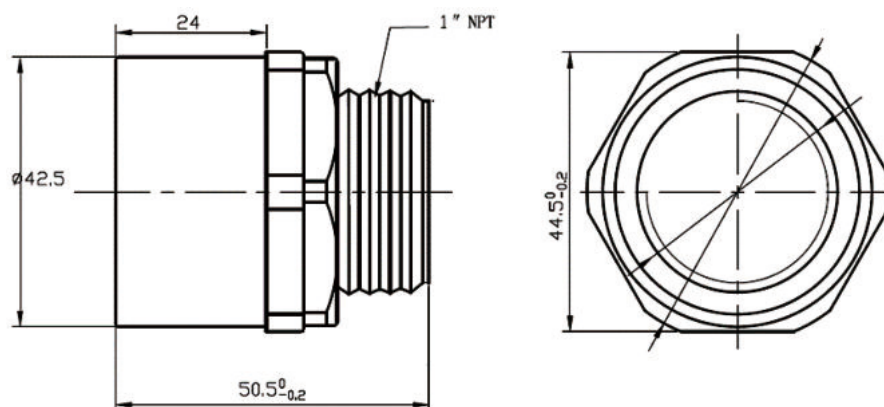
DESCRIPTION

GUT805 ultrasonic level sensor is a non-contact, high reliability, cost-effective, easy-to-install and maintain on-site measurement device; The integrated ultrasonic level sensor is a high-protection and multi-functional product. It is fully sealed with IP68 protection, PVDF material as default, which is applicable to various media. It can support 3.3V~30V wide voltage input and multiple output signal, which can meet customers' all kinds of application requirements.

FEATURES

- High sensitivity
- Small size
- IP68 protection grade
- Corrosion-resistant housing for aggressive media and applications

DIMENSION

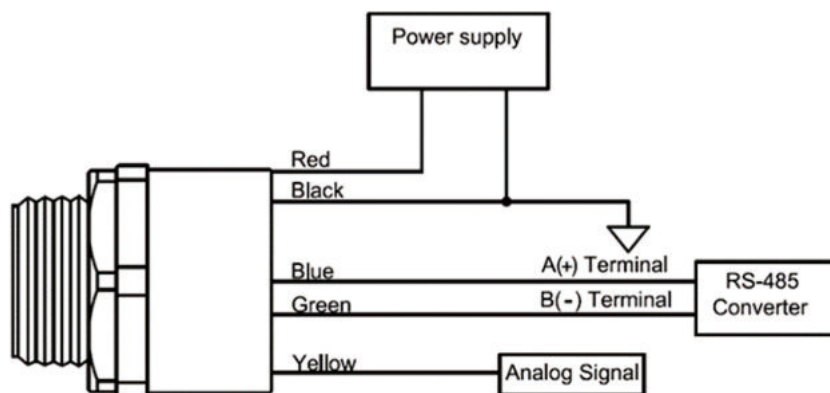


SPECIFICATION

Range	0.25m-3m (5m is customizable) GUT805A
	0.15m-0.6m (1m is customizable) GUT805B ;
Blind area	0.15-0.25m (depending on different range)
Supply voltage	3.3 -30 VDC(The voltage is decided by different signal output)
Working current	≤ 45 mA (The fastest measurement speed) Typical power consumption: 5mA
Output signal	1.RS485 output.
	2.Programmable analog output:RS485+ 0-3V/0-5V /0-10V/4-20mA/NPN/PNP
Accuracy	≤1 %F.S
Temperature compensation	Automatic
Working ambient temperature	-25...70℃
Storage temperature	-40...85℃
Electrical interface	5 core cable (Analog output) , 6 core cable (Switch output) ;
Protection grade	IP68
Shell material	PVDF (Default) /PVC /PTFE

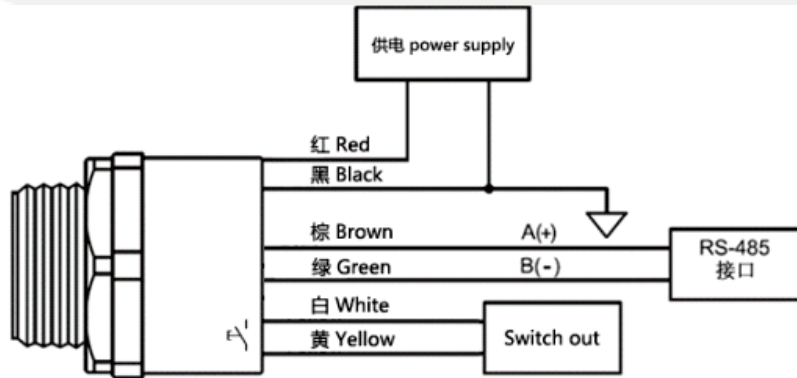
ELECTRICAL INTERFACE AND SIGNAL DEFINITION

Signal definition of analog output



Wire color	Wire order	Description	Notes
Red	1	Power supply	3.3V-30V wide voltage input
Black	2	GND	
Yellow	3	Analog output	No analog output in low consumption version
Blue	4	RS485A+/UART_TXD	UART version- Blue wire is the TXD signal of the sensor
Green	5	RS485B-/UART_RXD	UART version- Green wire is the RXD signal of the sensor

Switch output wiring



Wire color	Wire order	Description	Notes
Red	1	Power supply	3.3V-30V wide voltage input
Black	2	GND	
Yellow	3	Switch output	Switch terminal ' load capacity 1A 60V ' supports up to two switch outputs of independent logic, the two terminals are two contacts of the switch, no distinction between positive and negative poles, and they can connected freely.
White	4	Switch output	
Brown	4	RS485A+/UART_TXD	UART version--Brown is TXD signal
Green	5	RS485B-/UART_RXD	UART version--Green is RXD signal

ORDER GUIDE

GUT805 Specification			
Code	Range		
A	0.25m-3m (5m is customizable) GUT805A		
B	0.15m-0.6m (1m is customizable) GUT805B		
Code	Power		
1	3.3V (only for RS485 or RS485+0-3V)		
2	5.5-30V		
Code	Output methods		
A	RS485		
B	RS485+0-3V		
C	RS485+0-5V		
D	RS485+0-10V		
E	RS485+4-20mA		
F	RS485+NPN		
G	RS485+PNP		
GUT805	A	2	B