

## GPT244

### INTRODUCTION

GPT244 differential pressure transmitter adopts the technology of monocrystalline silicon sensor, is suitable to measure flow, level, density and pressure of the measured liquids, gases and steam. It is a kind of differential pressure measurement instruments with the function of radio data transmission and the characteristics of battery-powered. Wireless transmission methods are SWSN (Our own efficient protocol transmission method) and Lora (Spread spectrum wireless transmission method), which has the characteristics of ultra-low power consumption and ultra-strong signal penetration respectively.



### FEATURES

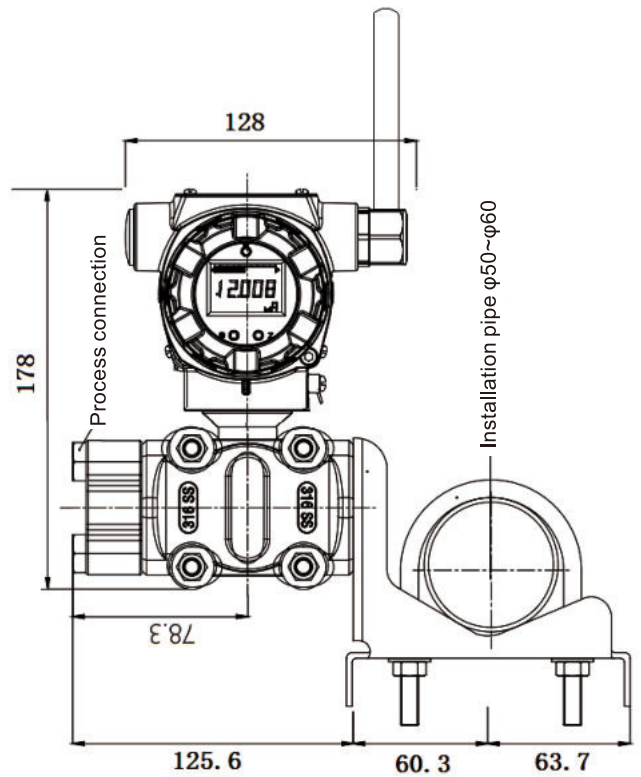
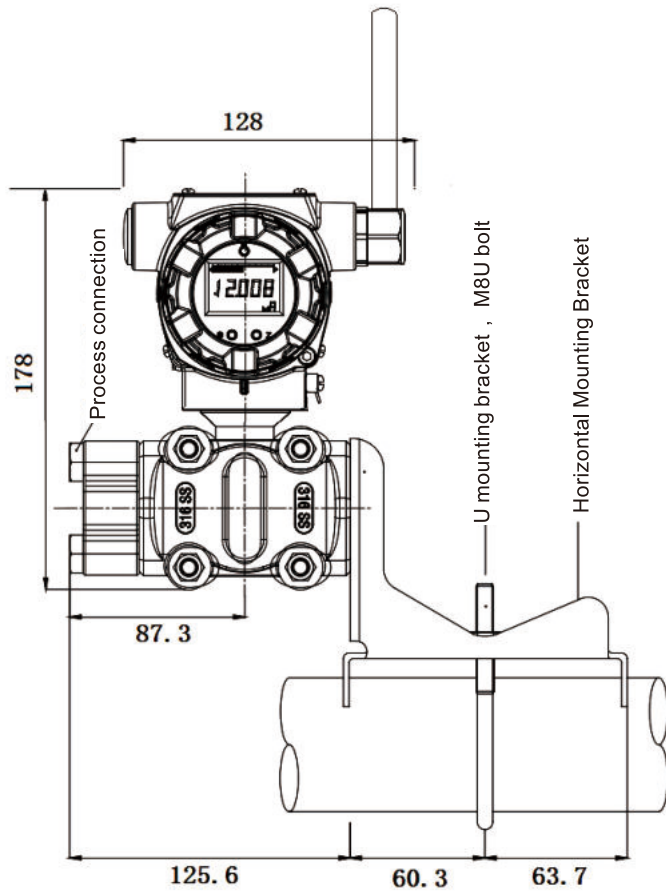
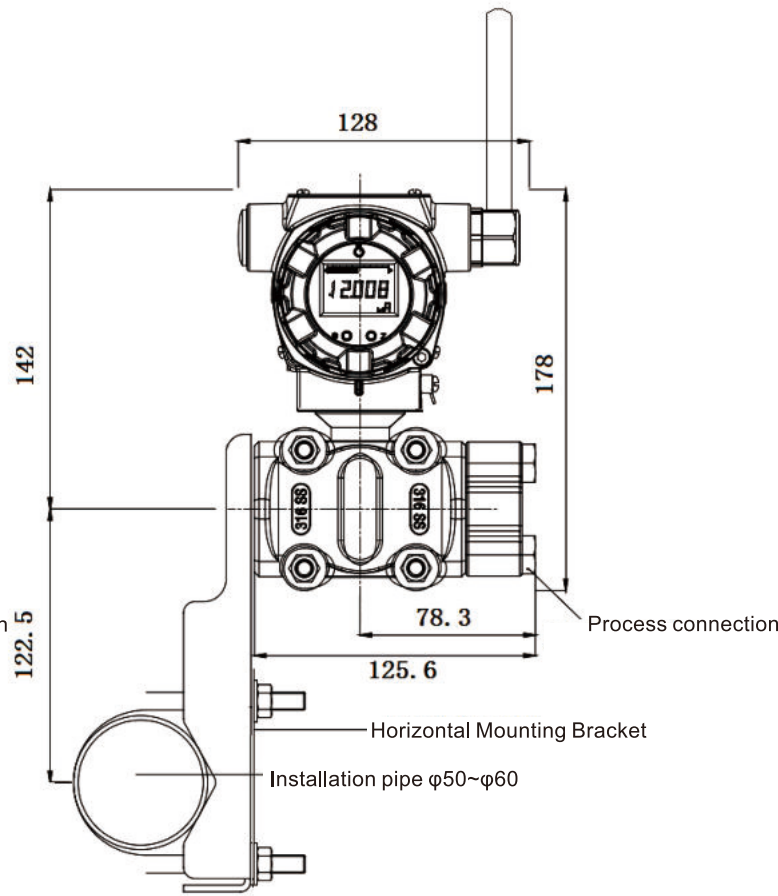
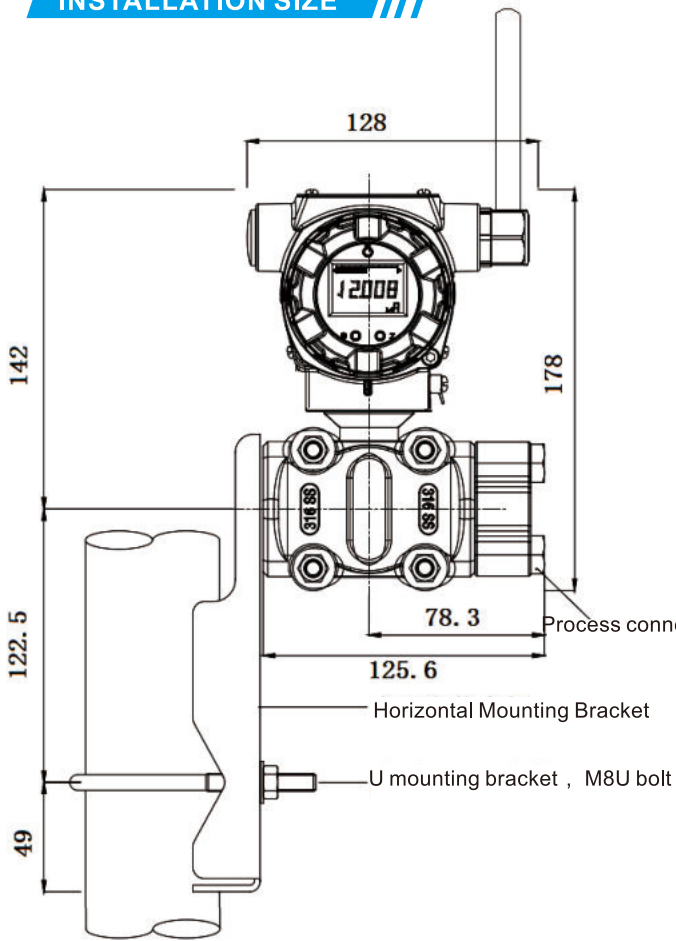
- Built-in high precision monocrystalline silicon pressure sensor, high measurement range
- Ultra-high overvoltage performance
- Local three-button setting
- Standard testing range reference accuracy:  $\pm 0.075\%FS$
- Ultra-low power consumption , 1s sending interval, 3 years battery life. (SWSN)  
5s sending interval, 8 years battery life. (SWSN)
- LORA spread spectrum wireless transmission distance up to 5 kilometers (Sight Distance)
- 5 digits LCD ultra-low power segment code display
- Timing send+Changes send function
- Dual frequency redundant communication function (optional)

### APPLICATION

- Wind pressure and flow velocity measurement in industrial processes
- Measuring systems such as dry gases
- Pipe and furnace pressure measurement
- Petrochemical industry



# INSTALLATION SIZE



## ORDER GUIDANCE

GPT244	Differential pressure transmitter										
	Code <b>Output signal</b>										
	GF	SWSN GFSK wireless(Sight distance1000m)									
	LR	LORA wireless(Sight distance 5000m)									
	Code <b>Pressure range</b>										
	F	-6~6KPa (Static pressure 16MPa)									
	L	-10~10KPa (Static pressure 16MPa)									
	M	-100~100KPa (Static pressure 16MPa)									
	H	-500~500KPa (Static pressure 16MPa)									
	VL	0~4MPa (Static pressure 25MPa)customized									
	VM	0~10MPa (Static pressure 25MPa)customized									
	Code	<b>Wetted material</b>	Process interface	Isolation membrane box	Isolation gasket	Drain/Gas plug					
	S		316	316L	PTFE	316					
	Code <b>Process interface</b>										
	3		Process connector with 1/4NPT F								
	4		Process connector with 1/2NPT F								
	Code <b>Bolts and nuts material</b>										
	J		Carbon steel with plastic sprayed, carbon steel galvanized								
	B		304 stainless steel								
	G1		316L stainless steel								
	Code <b>Installation</b>										
	8		Horizontal installation, high pressure at right side								
	9		Horizontal installation, high pressure at left side								
	Code <b>Amplifier Housing</b>										
	1		Cast aluminum alloy								
	Code <b>Electrical interface</b>										
	7		1/2NPT F Two electrical interfaces with one blind plug (wired type)								
	9		M20*1.5 F Two electrical interfaces with one blind plug (wired type)								
	0		M20*1.5 F an electrical interface with plug (No wire plug)								
	Code <b>Built-in display</b>										
	D		Digital display								
	N		None								
	Code <b>2-inch Pipe Mounting Brackets</b>										
	A		Carbon steel with plastic sprayed, flat bracket								
	B		304 stainless steel, flat bracket								
	C		Carbon steel with plastic sprayed, L type bracket								
	D		304 stainless steel, L type bracket								
	J		316 stainless steel, flat bracket								
	K		304 stainless steel, L type bracket								
GPT244	D	M	S	4	J	8	1	9	D	B	