

GPT243

INTRODUCTION

GPT243 pressure transmitter is high accuracy and low consumption wireless pressure measuring device, which is designed by GAMICOS. It is made of pressure sensor, signal processing circuit, communication modules and power supply modules, using high-capacity lithium battery-powered, RF radio transmission data. It is simple to install, easy to operate, without on-site wiring, easy to operate, which saves hassle of wiring bridge frame manpower and construction cost, especially suitable for not easy wiring and unable to power supply. GPT243 is the ideal upgrading products of traditional pressure transmitter.

FEATURES

- Dual frequency redundant communication function (optional)
- Built-in high precision pressure sensor, high measurement accuracy
- Local three-button setting
- Standard inspection range reference accuracy : $\pm 0.5\%FS$
- Ultra-low power consumption , 1s sending interval, 3 years battery life. (SWSN)
5s sending interval, 8 years battery life. (SWSN)
- LORA spread spectrum wireless transmission distance is up to 5 kilometers (Sight Distance)
- 5 digits LCD Ultra-low power segment code display
- Timing send+Changes send

APPLICATION

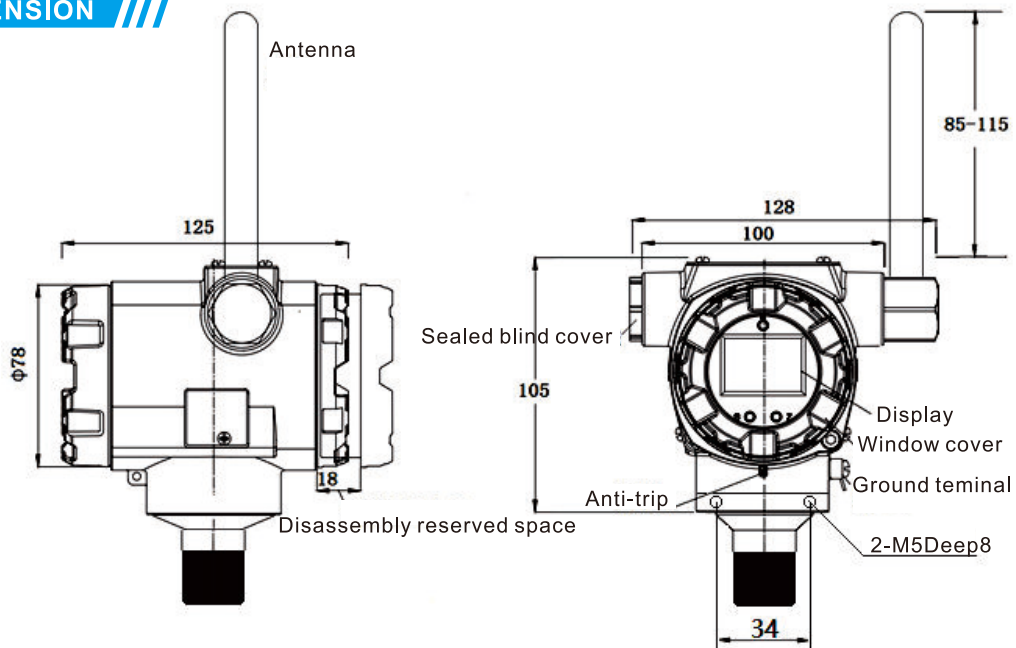
- Pipeling pressure monitoring
- Machinery and oil industry
- Paper making, pharmaceutical
- Electric power, environmental protection and food industry
- Metallurgical and chemical industry
- Field or inconvenient power distribution



TECHNICAL PARAMETERS

Pressure range	-100kpa~0~250Mpa						
Accuracy	Regular precision : $\pm 0.5\%$ F.S						
Resolution	0.01						
Wireless transmission	GFSK SWSN ; LORA ;						
Data upload interval	1-255s(GFSK) ; 1-255min(LORA) ;						
Data upload mode	Timed upload ; Changes upload(Changes limit can be set)						
Equipment working environment	-40~85°C; humidity 0~95%RH, no condensation						
Environment temperature influence	Total impact/28°C(50°F) \pm [0.08% range+0.015% upper range limits]						
Stability	$\pm 0.1\%$ upper range limits/1Yr						
Power effect	$\pm 0.005\%/1V$						
Protection grade	IP65(header)						
Fixed method	Thread direct connection, U-bolt fixing						
Weight	1.3~1.5kg						
Battery parameters	Capacity 19000mAh, voltage 3.6V						
Sending interval	0.25s	1s	2s	5s	1min	2min	10min
Battery life	1Yr	3Yrs	5Yrs	10Yrs	1Yr	3Yrs	8Yrs
Wireless transmission	SWSN	SWSN	SWSN	SWSN	LORA	LORA	LORA
Testing condition : 20°C 60%RH Lab Battery self-discharge rate : <1%/Yr							
Radio parameters							
Wireless mode	SWSN			LORA			
Transmission distance(sight distance)	1000~2000m			5000~10000m			
Transmission distance(obstacles, reference)	50-250m			250-1000m			
Carrier frequency	430~470~510M 860~930M(customized)			430~470~510M 860~930M(customized)			

METER DIMENSION



ORDER GUIDANCE

GPT243	Pressure transmitter							
	Code	Output signal						
	GF	SWSN GFSK wireless (sight distance 1000m)						
	LR	LORA wireless (sight distance 5000m)						
	Code	Pressure range						
	S	-10~10KPa						
	A	-100~0~200KPa						
	B	-100~0~2000KPa						
	C	0~10MPa						
	E	0~60MPa						
	F	0~100MPa(customized)						
	H	0~150MPa (customized)						
	L	0~250MPa (customized)						
	Code	Wetted material	Process interface	Isolation membrane box	others			
	S1		304	316L	304			
	S2		316	316L	316			
	S3		316L	316L	316L			
	Code	Process interface						
	4	Process connector with 1/2NPT F						
	7	Process connector with 1/2NPT M						
	9	Process connector with M20*1.5 M						
	Code	Amplifier Housing						
	1	Cast aluminum alloy						
	Code	Electrical interface						
	7	1/2NPT F, two electrical interfaces with one blind plug (wired type)						
	9	M20*1.5 F, two electrical interfaces with one blind plug (wired type)						
	0	M20*1.5 F, an electrical interface with plug (No wire type)						
	Code	Mounting brackets						
	L	Carbon steel with plastic sprayed mounting brackets						
GPT243	D	S	S2	7	1	9	L	