

Pressure Transmitter GPT240

Description

GPT240 intelligent pressure transmitter combine measuring ,display and transmitter together. It can correct the linearity and compensate temperature drift. It also can adjust the parameter of transmitter by hand-helder, achieve accurate data transfer, local equipment diagnoses and long-distance bidirectional communication . With characteristics of high precision, good stability &reliability and easy handle.

Features

- pressure range: 0~10kPa...60MPa
- HART protocol or RS485 protocol
- Ex Marking
- LCD or LED display
- high reliability and stability

Application

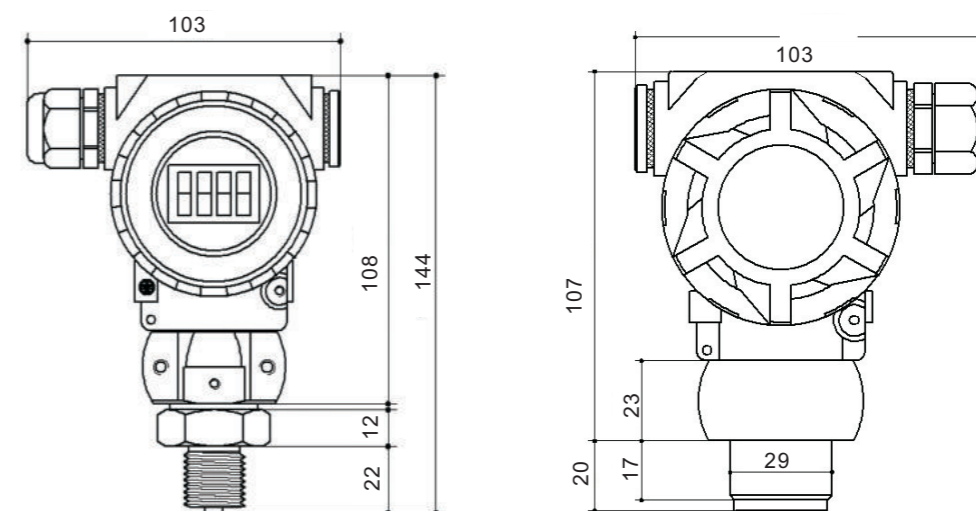
- process control system
- petroleum industry
- chemical industry
- electric power etc



Technical Specifications

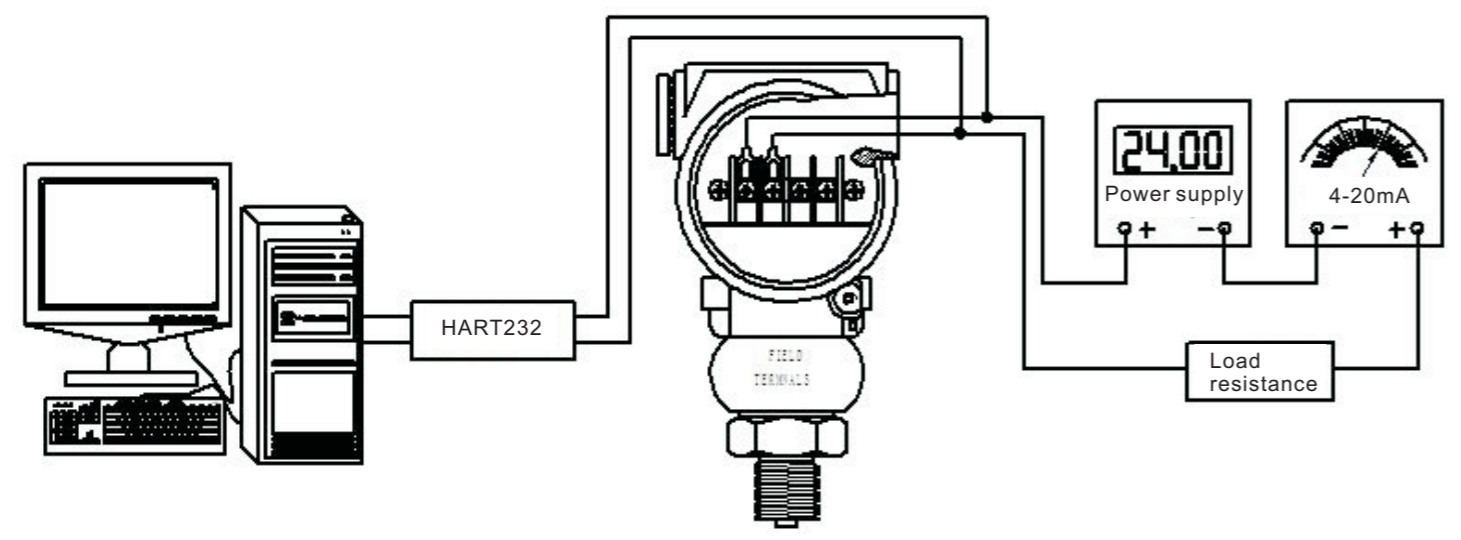
pressure range		
pressure type	gauge (G), absolute (A), sealed gauge (S)	
overpressure	150%FS or 110MPa(min.value is valid)	
output signal	4~20mA、0-10/20mA、0-5V、1-5V	
	4~20mA+HART	
	4~20mA+RS485	
	4~20mA+RS232	
power supply	15~30Vdc	
accuracy	0.25%FS(typ.)	0.5%FS(max.)
long-term stability	≤0.3%FS/year	
temp.coefficient of zero	±0.02%FS/°C(typ.)	±0.03%FS/°C(max.)
temp.coefficient of span	±0.02%FS/°C(typ.)	±0.03%FS/°C(max.)
compensated temperature range	0~+70°C	
operating temperature range	-20~+80°C	
storage temperature range	-40~+120°C	
Insulating resistance	≥100MΩ@100Vdc	
load resistance	R≤(U-15)/0.02 (for 4/20mA)	
electrical interface	wiring terminal	
pressure interface	G1/2,M20x1.5(customer request)	
material of pressure membrane	316L stainless steel	
material of housing	aluminium alloy, Stainless Steel 1Cr18Ni9Ti	
response time(10%~90%)	≤10ms	
display	1999~9999 LCD display ; 1999~9999 LED display	
protection	IP65	
Installation	Vertical axial	
Explosion-proof	ExialICT6	

Dimension(mm)

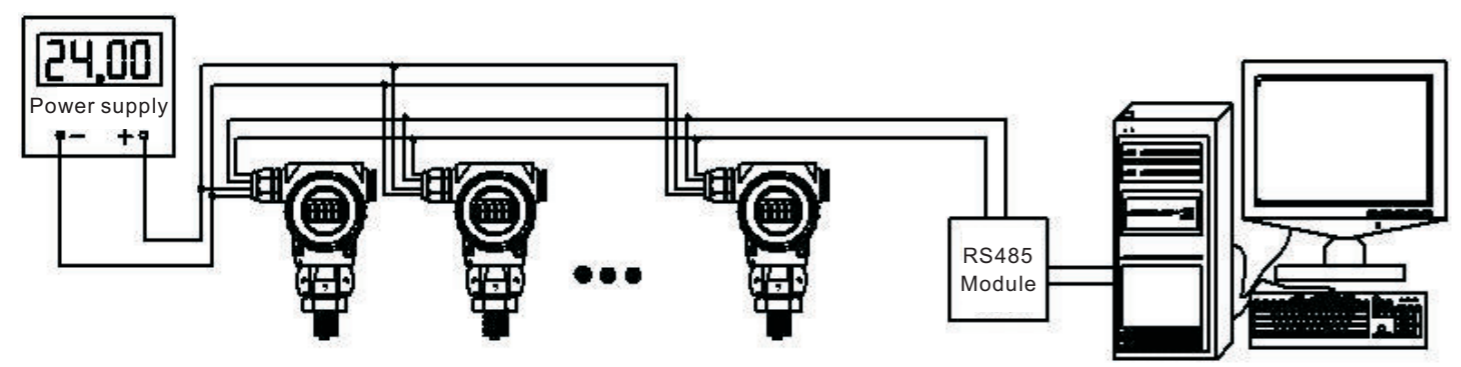


Wiring

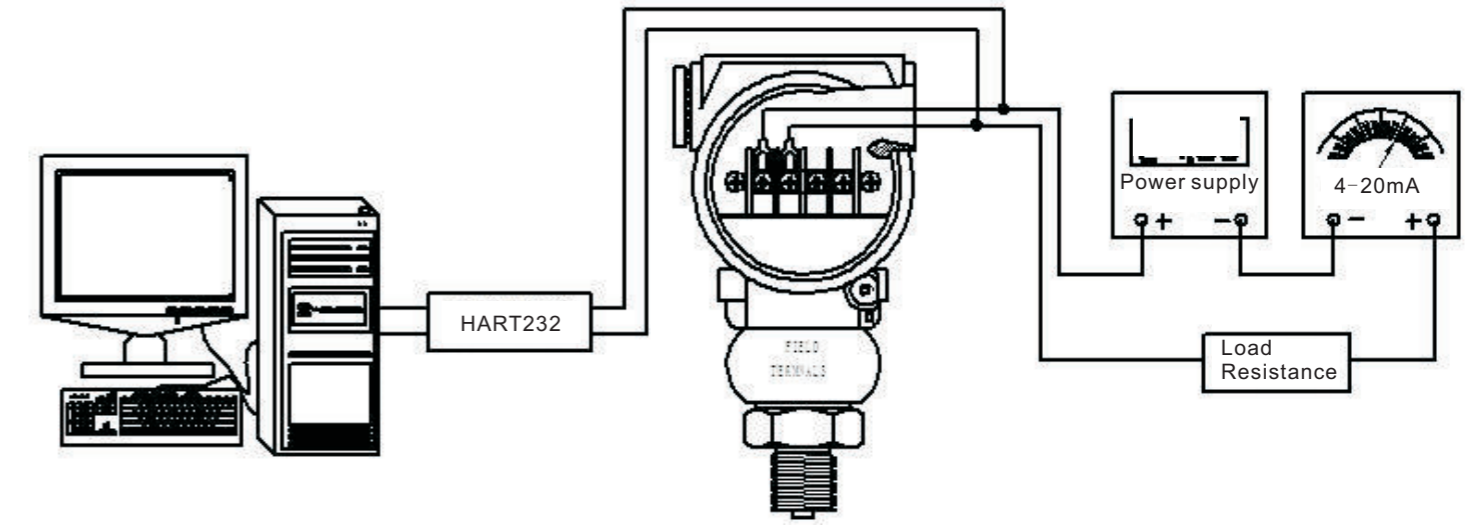
1. RS485 pressure transmitter is used for RS485 communication electrical interface



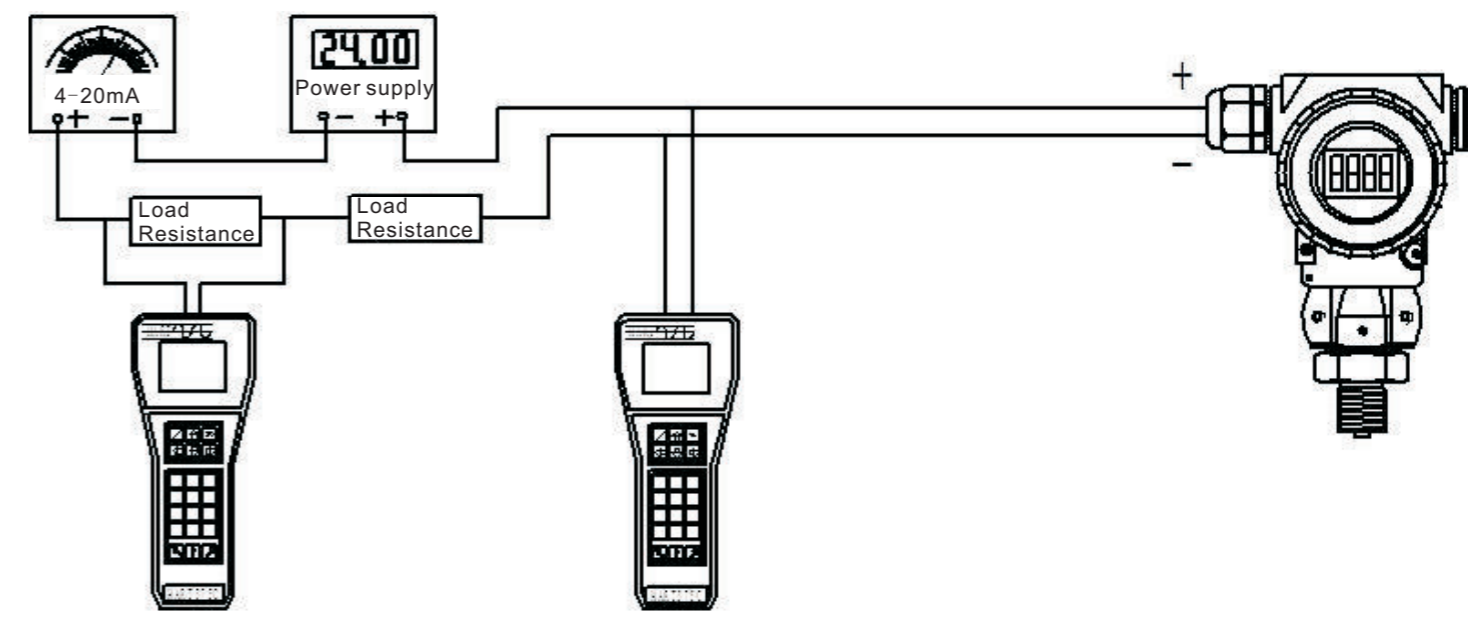
2. Network application diagram of RS485 interface



3. Configuration system connection way of HART protocol pressure transmitter



4. The connection way about HART protocol pressure transmitter and HART communicator



Ordering code

GPT240											Pressure Sensor
Code											Pressure range
0/x											-0.1...0~0.01...100MPa
Code											Unit
M											MPa
B											Bar
P											Psi
Code											Pressure type
G											gauge
S											sealed gauge
A											absolute
Code											Output signal
T1											4-20mA
T2											0-5Vdc
T3											1-5Vdc
T4											4~20mA+HART
T5											4~20mA+RS485
T6											4~20mA+RS232
Code											power supply
V1											15~30Vdc
V2											24Vdc
Code											accuracy
A1											0.1%FS
A2											0.25%FS
A3											0.5%FS
Code											electrical interface
K1											2088housing
K2											2088housing+display
Code											Housing Material
S1											304 SS
S2											316L SS
Code											Pressure interface
C1											M20x1.5(male)
C2											G1/4(male)
C3											G1/2(male)
C4											1/4NPT(male)
Cx											other
Code											Explosion-proof function
E											Ex I explosion-proof
O											non-explosion-proof
E											Complete specification