

OEM PRESSURE SENSOR GS19

Description

GS19 piezoresistive pressure sensor is standard and common OEM pressure sensor, which has good sensitivity, linearity and hysteresis for industry and many other hostile environments. Silicon Oil-filled and isolated from measured media by a stainless steel diaphragm and body. It uses Laser trimming technics or outer resistors to do temperature compensation and zero correction. The whole products has high reliability, high endurance and long stability. The sensors are widely used for chemi-industry, process control. Liquid pressure system, etc.



Features

- piezoresistive pressure sensor
- MEMS technology
- $\Phi 19$ mm diameter
- pressure range: -100~0kPa, 0~20kPa...100MPa
- gas or dilute liquid compatible with 316LSS

Applications

- Industrial process control
- Wastewater and environmental engineering
- Liquid pressure system and switch
- Refrigeration equipment and air conditioner

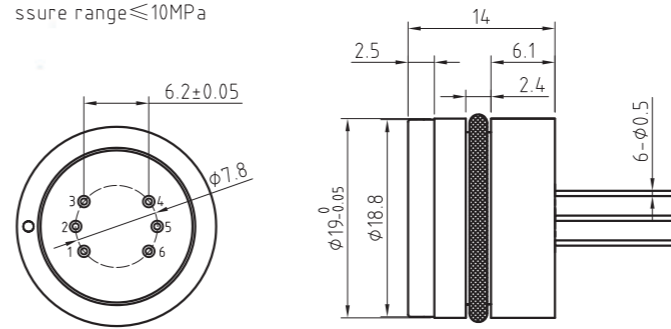
Technical Specifications

test condition of data: 25°C(77°F)

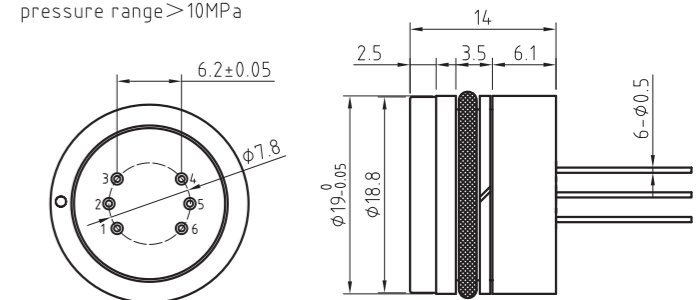
pressure range	-100~0kPa, 0~20kPa...100MPa	
pressure type	gauge (G), absolute (A), sealed gauge (S)	
overpressure	150%FS	
zero output	± 2 mV	
output signal	≥ 60 mV@1.5 mA	
excitation	1.5mA	10Vdc(option)
accuracy	0.25%FS(typ.)	0.3%FS(max.)
long-term stability	≤ 0.2 %FS/year	
temp. coefficient of zero	± 0.02 %FS/°C(typ.)	± 0.03 %FS/°C(max.)
temp. coefficient of span	± 0.02 %FS/°C(typ.)	± 0.03 %FS/°C(max.)
compensated temperature range	-10~+70 °C	
operating temperature range	-40~+125 °C	
storage temperature range	-40~+125 °C	
Insulating resistance	≥ 100 M Ω @100Vdc	
input resistance	3000~6000 Ω	
output resistance	2500~6000 Ω	
electrical interface	(4F)4-color silicon rubber wires, option (6P)gold-plated kovar pins	
material of pressure membrane	316L stainless steel(standard), option:Hastelloy C, Titanium	
response time(10%~90%)	≤ 1 ms	
shock	20gRMS,(20~5000)Hz	
impact	100g,11ms	
net weight	~18g	

Dimension(mm)

pressure range ≤ 10 MPa



pressure range > 10 MPa



pin3 excitation+ red wire
pin5 excitation- blue wire
pin2 signal+ yellow wire
pin4 signal- white wire

Ordering code

GS19					OEM Pressure Sensor
	Code				Pressure range
	01				-100...0kPa(G)
	02				0...20kPa(G)
	03				0...35kPa(G,A)
	04				0...70kPa(G)
	05				0...100kPa(G,A)
	06				0...250kPa(G,A)
	07				0...400kPa(G,A)
	08				0...600kPa(G,A)
	09				0...1MPa(G,A,S)
	10				0...1.6MPa(G,A,S)
	11				0...2.5MPa(G,S)
	12				0...6MPa(S)
	13				0...10MPa(S)
	14				0...16MPa(S)
	15				0...25MPa(S)
	16				0...40MPa(S)
	17				0...60MPa(S)
	18				0...100MPa(S)
	Code				Pressure type
	G				gauge
	S				sealed gauge
	A				absolute
	Code				Excitaion
	I				1.5mA
	V				10Vdc
	Code				Electrical interface
	4F				4-color silicon rubber wires
	6P				6 gold-plated kovar pins(only for 1.5mA)
GS19	07	A	V	4F	Complete specification