

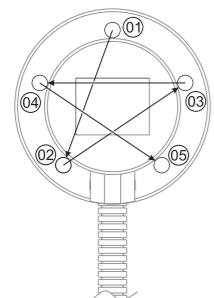
Capacitive Fuel Sensor GLTV7

Introduction

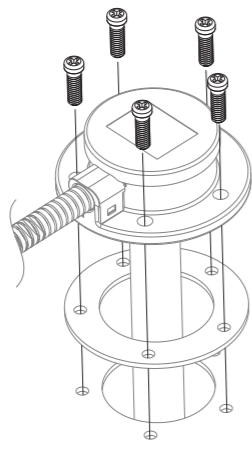
GLTV7 Capacitance fuel level sensor is used to continuously detect fuel level by measuring the capacitance variations as the liquid level changes, which can be easily shortened to fit the different tank depths. It can carry out real-time monitoring with GPS tracking system, can directly replace the fuel level sensor and connect the instruments in original car; With the characteristics of strong stability and long service life.

Applications

- Suitable for Vehicle, truck, coach, agrimotor, GPS fleet management, GPS tracking system, generator set, construction machinery and more
- Signal output with high-resolution :1mm
- Continuous and steady output signal
- Length could be trimmed in the field
- The parameters can be conveniently reset and recalibrated with an external calibrator
- Fits different tank sizes, minimizing customer inventory level
- Used for diesel, gasoline and kerosene level measuring
- Compatible with GPS market leading GPS tracker and software to monitor vehicle fuel level at any time



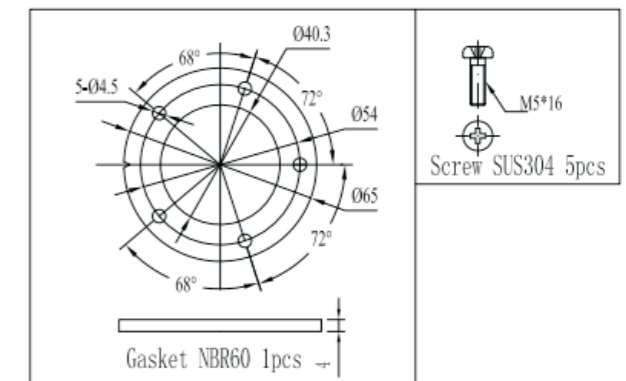
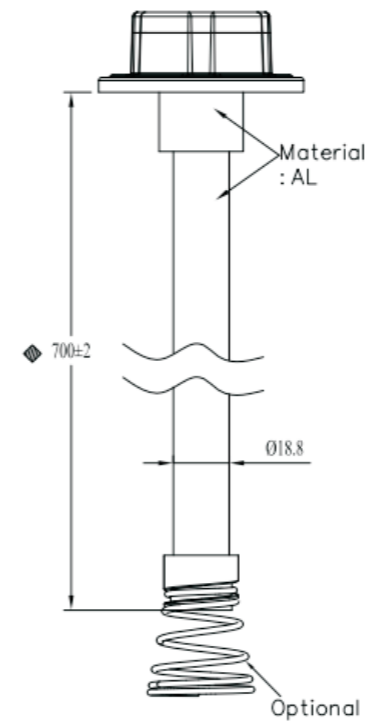
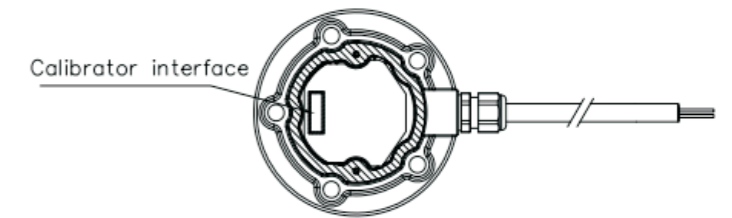
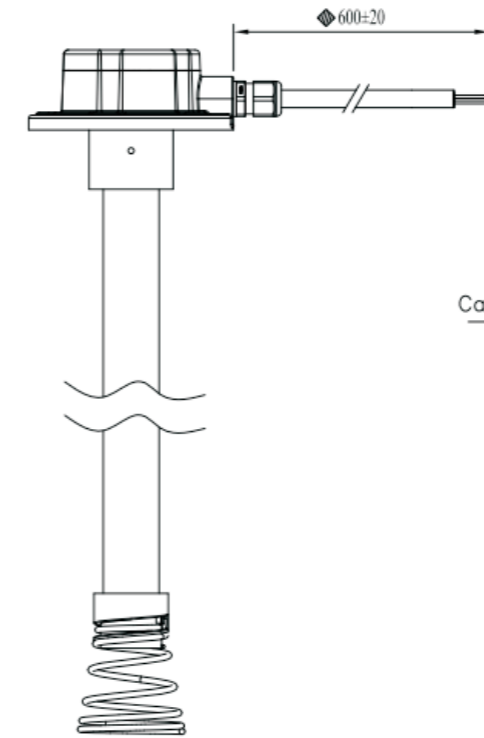
Positioning Sequence Diagram



Installation Diagram



Dimension(mm)



Specifications

1. Material: Plastic and Aluminum Alloy
2. Length range: 120-1500mm
3. Supply voltages: 10 to 32V
4. Rated current for alarm switch: 500mA
5. Output signal:RS232, RS485
6. Resolution: 1mm
7. Operating temperatures: - 40 to 85°C
8. Protection rank: IP65

Indicators

Item	Specification
Range	120~1500mm (Can be customized 1500mm)
Medium	Gasoline、Diesel fuel、Kerosen (It can not be used for the conductive medium)
Output	Voltage output: 0~5V, 0.5~4.5V Digital output: RS232, RS485
Power supply	5V, 10-32V
Accuracy	≤1mm
Maximum operating current	<15mA
Operating temperature	-40~+85 C
Frequency	5s/time (Can be customized)
Wire	PVC material(PA corrugated pipe cover is optional)
Protection rank	IP65
Material	Aluminum
Connector	Delphi, Tyco or others is available according to customer's requirements
Mounting	SAE standard 5 holes 5 pieces of M5 screws and 2 mm thick NBR gasket If the fuel tank, it is recommended optional 2mm thick FPM gasket

Calibrator:
Calibration of GLTV7sensor is required. The calibrator uses a 12V/23A battery. Under working condition, red light is the power indicator, green light is the calibration indicator. F/E button is shown in above picture.

Note:
For different type of fuel, diesel, oil or medium, calibration is necessary before use. Calibrator battery power could only used for roughly 15 times. Please change the battery when the red light becomes dark, indicating low battery.

Ordering code

GLTV7	Code	Sensor type
	F	Fuel level sensor
	Code	Unit
	M	m
	C	cm
	N	mm
	Code	Range
	Xm	120-1500mm(can be customized)
	Code	Medium
	G	Gasoline
	D	Diesel fuel
	K	Kerosen
	X	Can be customized
	Code	Output signal
	P1	RS485
	P2	RS232
	P3	0.5-4.5VDC
	P4	0-5VDC
	Code	Power supply
	V1	10~32Vdc
	V2	5VDC
	Code	Accuracy
	A	2%
	Code	Junction Box material
	Z	Aluminum
	Code	Probe material
	L	Aluminum
	Code	Mounting
	S	SAE standard 5 holes
	Code	Connector
	T1	Delphi
	T2	Tyco
	T3	Can be customized
	T4	Without connector
	Code	Appurtenance
	J1	Calibrator
	J2	Without Calibrator
GLTV7	F N Xm D P1 V2 A Z L S T1 J1	Complete specification